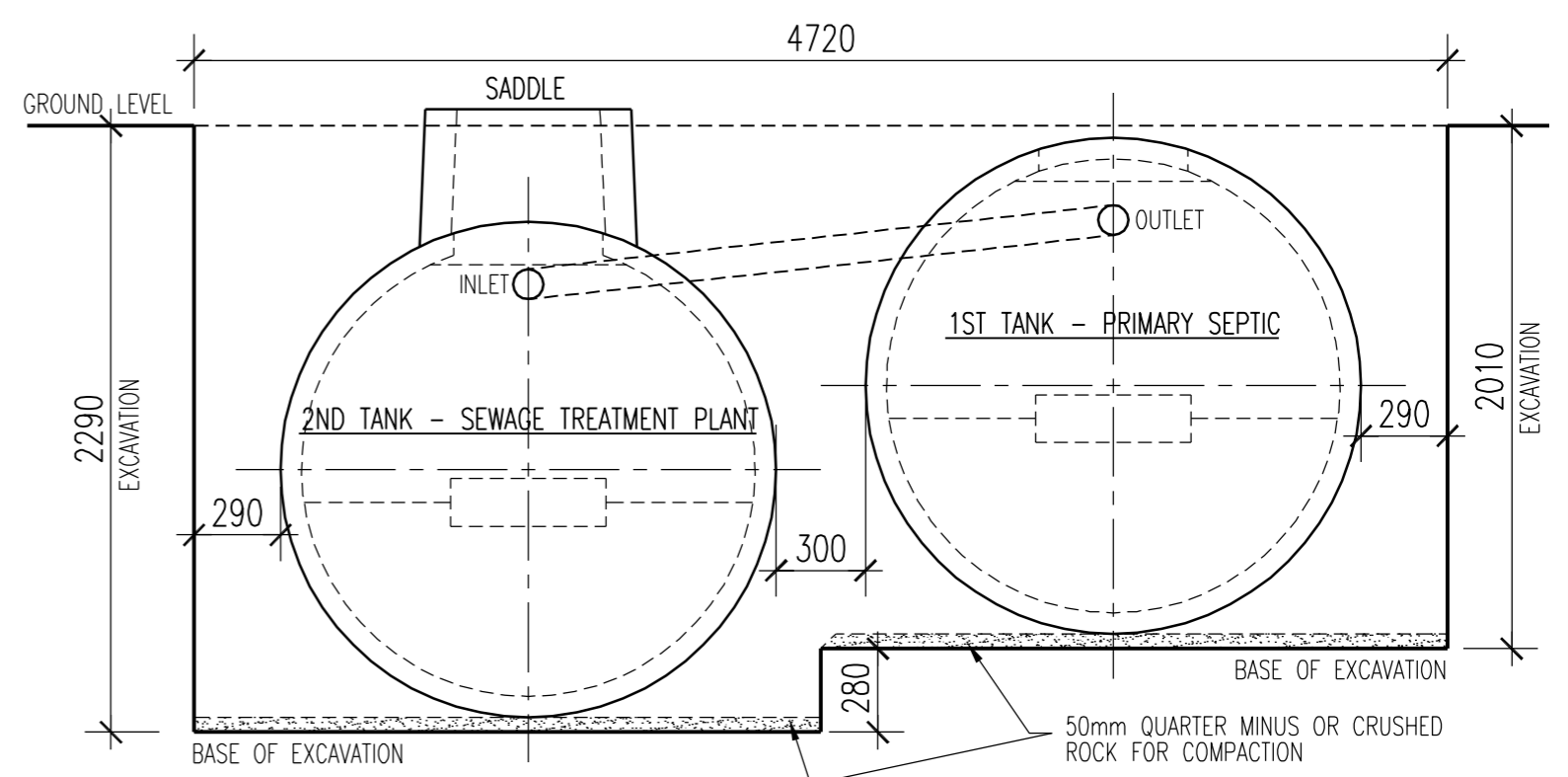
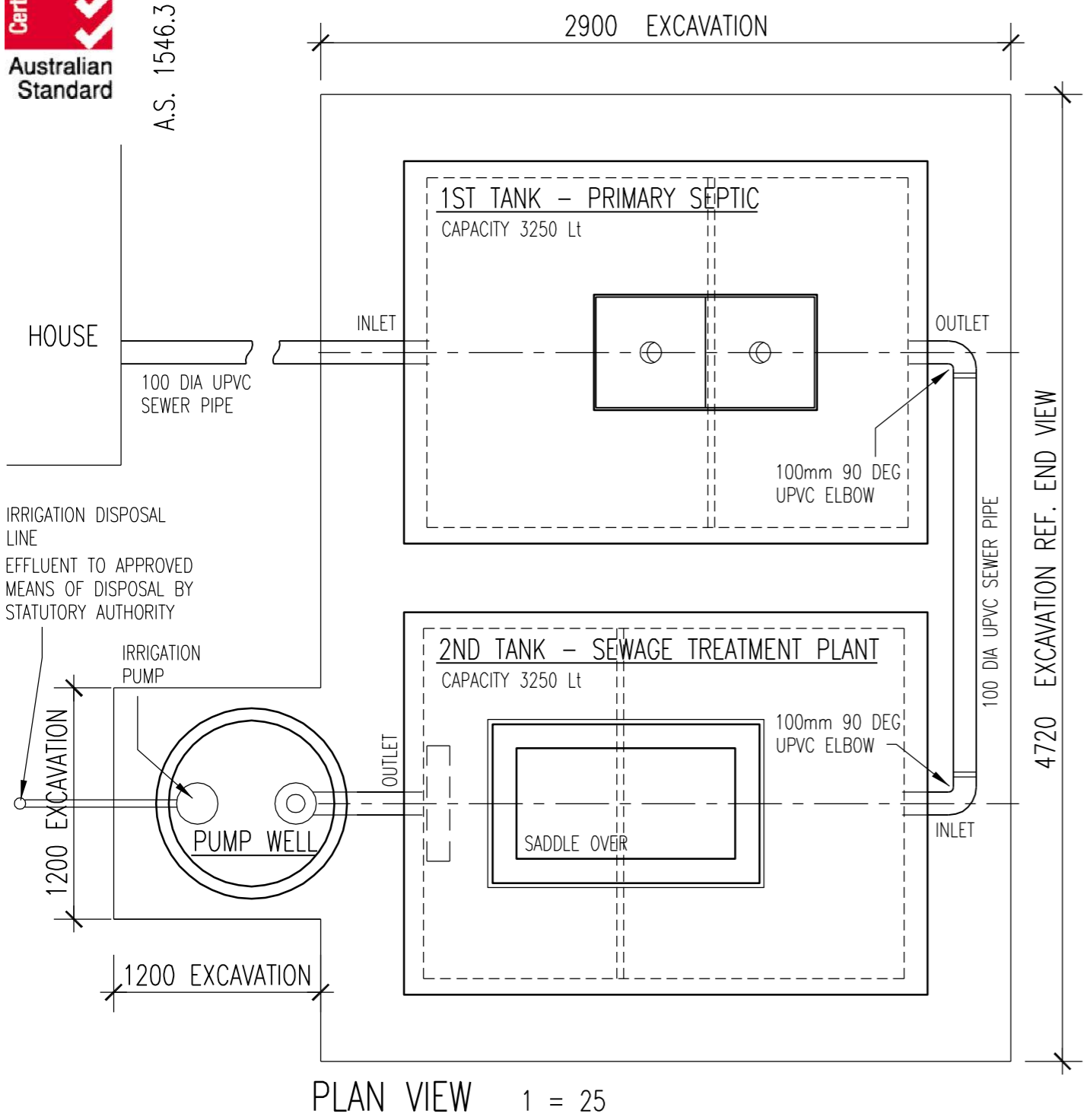




Australian Standard

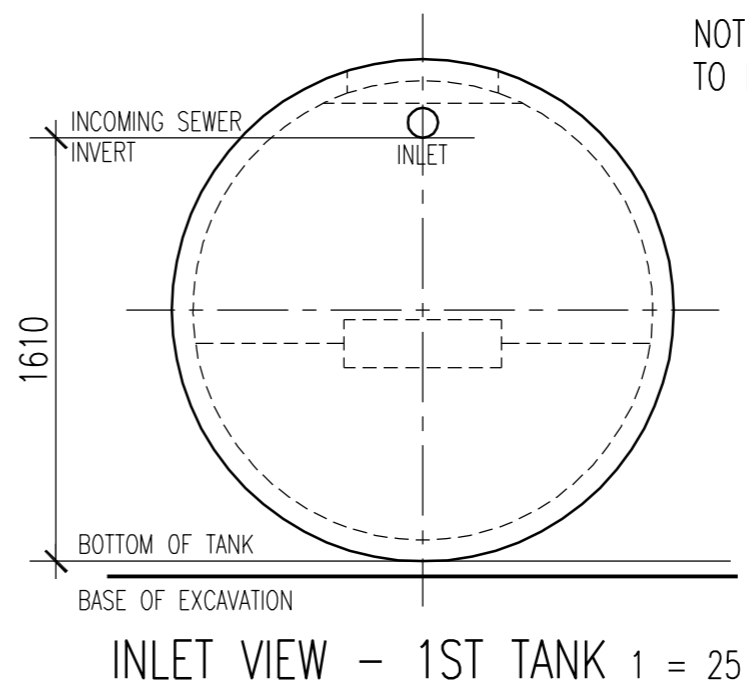
A.S. 1546.3 LIC. 2392

TURBOJET 3000



NOTE :- THESE DEPTHS GIVEN DEPENDS ON SEWER DEPTH

NOTE :- ALL SADDLES, PIPES AND CONDUITS TO BE SEALED WITH APPROVED METHOD



COPYRIGHT
SEPTTECH INDUSTRIES AUSTRALIA
Pty. Ltd.
14 BURGESS ROAD, BAYSWATER NORTH
VICTORIA, AUSTRALIA. 3153
Ph. (03) 9729 0966

TITLE
STANDARD SITE INSTALLATION DRAWING
TURBOJET DOMESTIC SEWAGE
TREATMENT PLANT



DESIGNED
CHECKED
APPROVED
DWG. No. TURBO 3000 (A)