

1070 Lt GREY WATER SYSTEMS FOR REUSE IN GARDEN AREAS

MORE SIZES AVAILABLE ON APPLICATION



NOTE :-

SHOWER AND HAND BASINS, BATHS AND SPAS AND LAUNDRY WASTE ARE ALL OKAY FOR USE AS GREY WATER
 KITCHEN AND TOILET WASTE MUST NOT TO BE USED AS GREY WATER, AND MUST BE DISCHARGED TO EITHER
 APPROVED SEWER LINE OR SEPTIC TANK

ALL GREY WATER MUST BE DISPERSED WITHIN A 24 HOUR PERIOD TO E.P.A. GUIDE LINES
 ALL GREY WATER MUST BE RETAINED WITHIN SUBJECT SITE

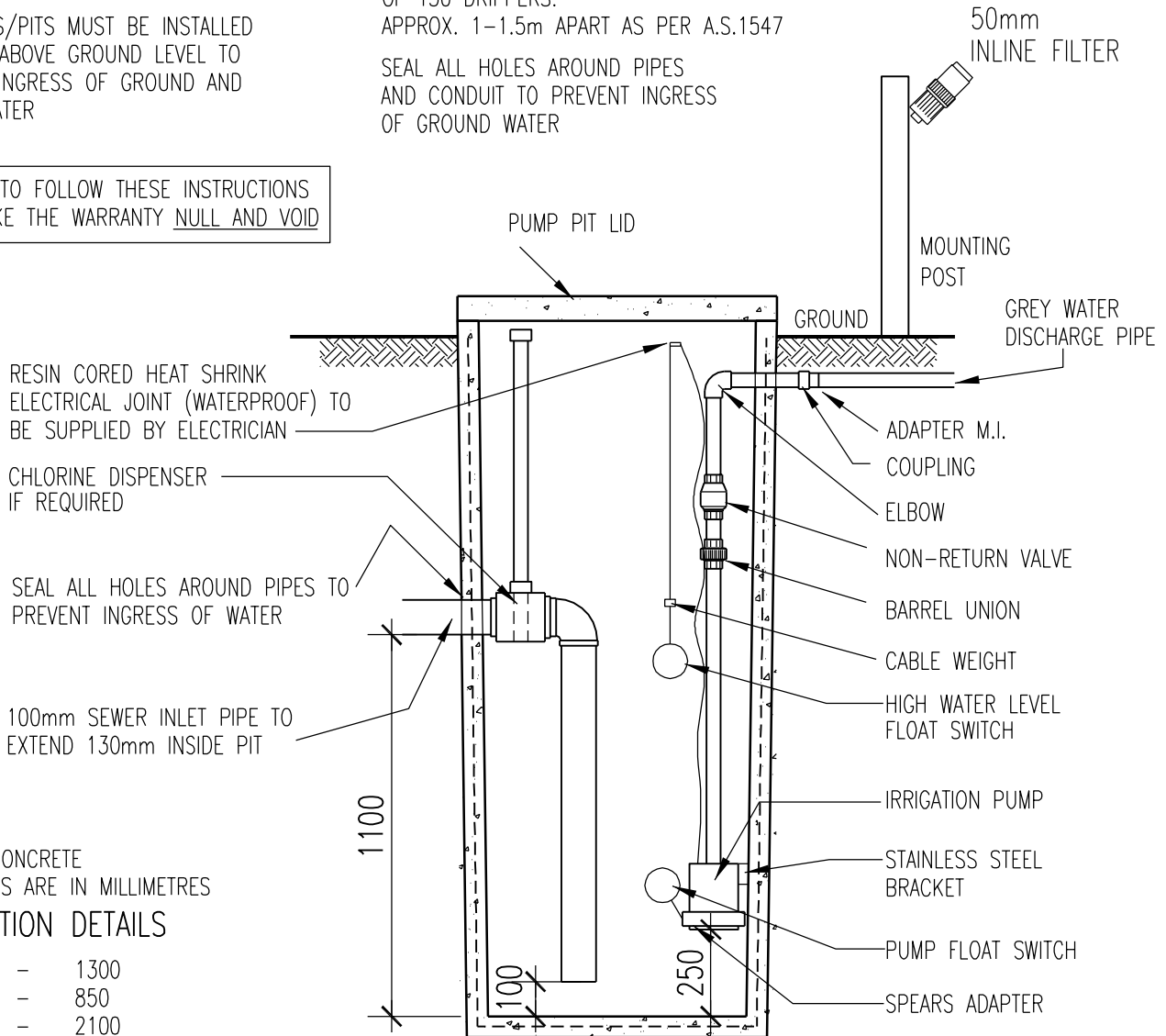
ALL POWER IS TO BE INSTALLED BY A QUALIFIED ELECTRICIAN, TO ELECTRICAL AUTHORITY REQUIREMENTS

ALL TANKS/PITS MUST BE INSTALLED SLIGHTLY ABOVE GROUND LEVEL TO PREVENT INGRESS OF GROUND AND STORM WATER

IF DRIP FEED IRRIGATION IS INSTALLED, AND TO AVOID BACK FLOODING OF UNIT, THE IRRIGATION LINE MUST HAVE A MIN. OF 130 DRIPPERS.
 APPROX. 1-1.5m APART AS PER A.S.1547

SEAL ALL HOLES AROUND PIPES AND CONDUIT TO PREVENT INGRESS OF GROUND WATER

FAILURE TO FOLLOW THESE INSTRUCTIONS WILL MAKE THE WARRANTY NULL AND VOID



NOTES:

32 MPa CONCRETE
 DIMENSIONS ARE IN MILLIMETRES

EXCAVATION DETAILS

LENGTH - 1300
 WIDTH - 850
 DEPTH - 2100

WEIGHT 1.20 TONNES
 DIMENSIONS ARE IN MILLIMETRES
 SCALE AS SHOWN

SECTION 1 = 20



COPYRIGHT
 SEPTTECH INDUSTRIES AUSTRALIA
 Pty. Ltd.

14 BURGESS ROAD, BAYSWATER NORTH
 VICTORIA, AUSTRALIA. 3153
 Ph. (03) 9729 0966



APPROVED

DWG. No.
 SEP-GW-11